

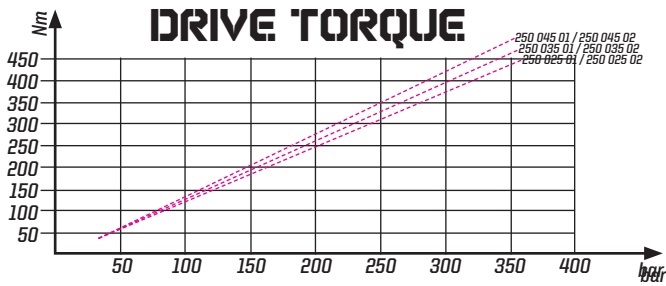
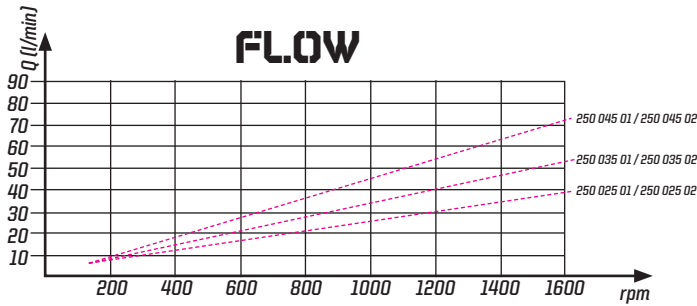
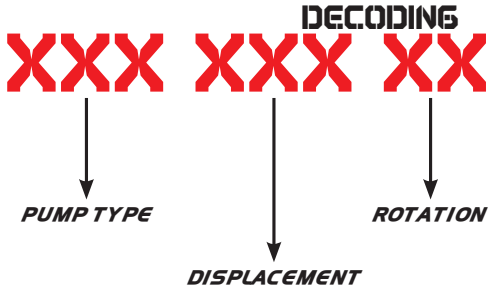


25 SERIAL GEAR PUMP

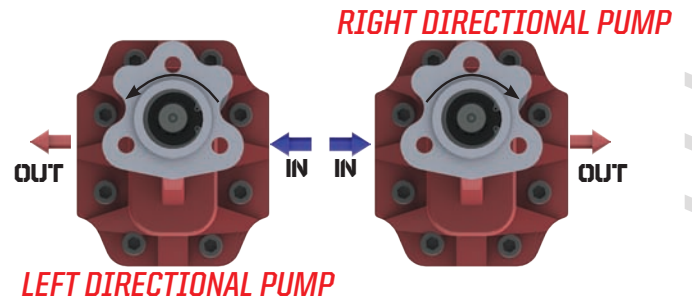
UNI



GEAR PUMPS



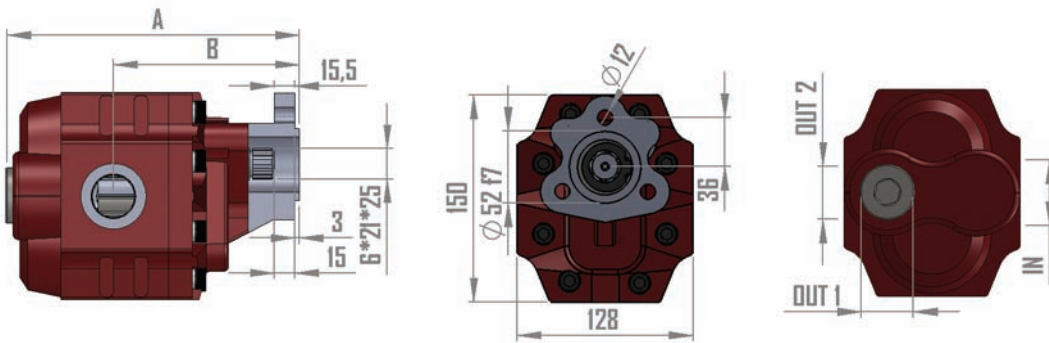
Fluid Temp. °C	Input Pres. Bar	Optimale K. Viscosity	Oil Filtering
0 / 100	0,3 / 1,7 bar	10 / 100 CST	> 200 bar : 25 um <200 bar : 35 um



NOTE : THE ABOVE SPECIFICATIONS REFER TO OIL TYPE ISO VG 46 AT 50°

NOTE : SEE TECHNICAL PAGE TO CHANGE THE DIRECTION OF ROTATION

USED PLACED :
DUMPER TRUCKS
PRIVATE AIM WINCHES
TRACTOR LADLES



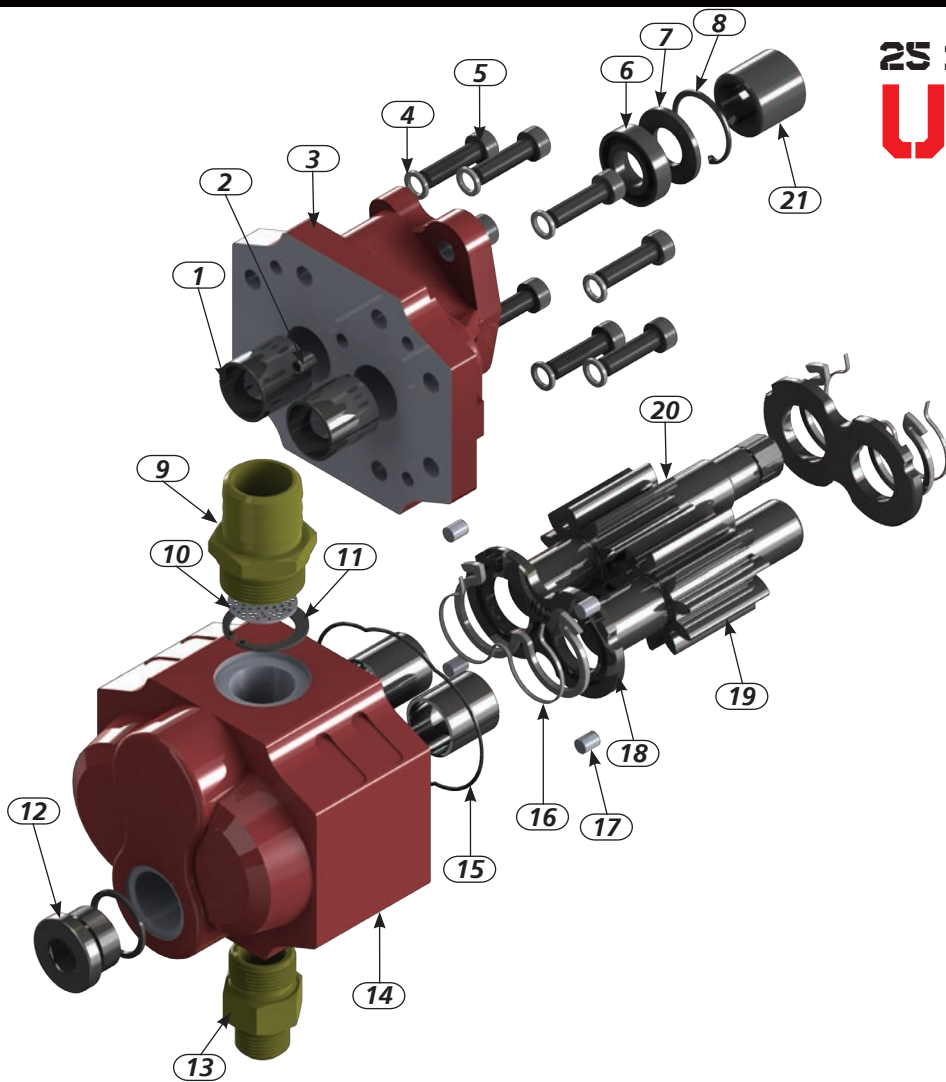
Code	Displacement cm ³ /1000	Rotation	Test Pressure	Max. Test Pressure	A	B	Oil Inlet	Oil Outlet	Max. Con. Speed Rpm	Max. Inter. Speed Rpm	Weight
250 025 01	25,8	Right	220	240	163	112	6 1"	6 3/4"	2450	2500	10
250 025 02	25,8	Left	220	240	163	112	6 1"	6 3/4"	2450	2500	10
250 035 01	35,4	Right	215	235	170	115	6 1"	6 3/4"	2450	2500	10,5
250 035 02	35,4	Left	215	235	170	115	6 1"	6 3/4"	2450	2500	10,5
250 045 01	45,2	Right	200	220	176	118	6 1"	6 3/4"	2400	2500	11
250 045 02	45,2	Left	200	220	176	118	6 1"	6 3/4"	2400	2500	11

Test Pressure : 60 sec

Max Test Pressure : 5 sec. Max.

www.hidroozcelik.com

25 SERIAL GEAR PUMP UNI



Pos: 14 Qty:1



Body

Code: 020 080 102
For 250 025 01/250 025 02
Code: 020 080 103
For 250 035 01/250 035 02
Code: 020 080 104
For 250 045 01/250 045 02

Pos: 20 Qty:1



Gear

Code: 020 090 107
For 250 025 01/250 025 02
Code: 020 090 109
For 250 035 01/250 035 02
Code: 020 090 111
For 250 045 01/250 045 02

Pos: 19 Qty:1



Gear

Code: 020 090 108
For 250 025 01/250 025 02
Code: 020 090 110
For 250 035 01/250 035 02
Code: 020 090 112
For 250 045 01/250 045 02

Pos: 1 Qty:4



Code: 020 060 112
Bush 28*32*30

Pos: 2 Qty:1



Code: 020 100 038
Screw 10*10

Pos: 3 Qty:1



Code: 020 080 070
Cover

Pos: 4 Qty:8



Code: 020 100 030
Washer M 10

Pos: 5 Qty:8



Code: 020 100 010
Screw M10*35

Pos: 6 Qty:1



Code: 020 040 201
Seal Mim 25*40*8

Pos: 7 Qty:1



Code: 020 090 077
Washer 26*40*2

Pos: 8 Qty:1



Code: 020 010 240
Circlip 472/40

Pos: 9 Qty:1



Code: 020 110 002
Nipple 1"

Pos: 10 Qty:1



Code: 020 090 027
Filter 1*1

Pos: 11 Qty:1



Code: 020 010 226
Circlip 472/26

Pos: 12 Qty:1




Code: 020 090 113
Screw 3/4"

Pos: 13 Qty:1




Code: 020 110 008
Nipple 3/4" R 1"1/16

Pos: 15 Qty:1



Code: 020 031 304
O ring 98,05*1,73

Pos: 16 Qty:2



Code: 020 031 401
M ring

Pos: 17 Qty:4



Code: 020 020 106
Bearing 8*10,5

Pos: 18 Qty:2



Code: 020 090 019
Plate

Pos: 21 Qty:1



Code: 710 606 031
Couplin 6*6

www.steelform.com