

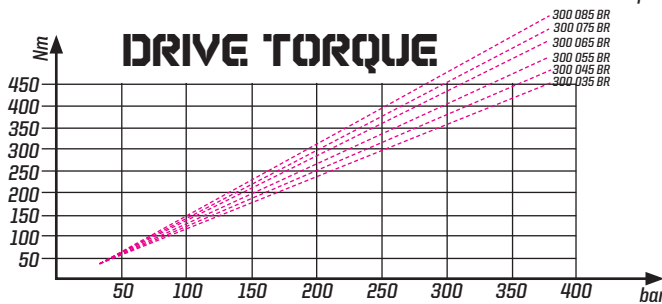
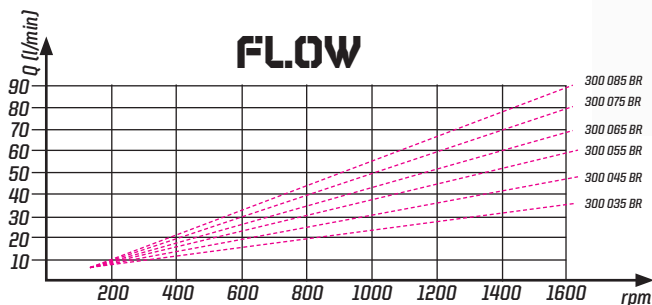
30 SERIAL GEAR PUMP ISO

XXX BI-ROTATIONAL
XXX
XX

PUMP TYPE

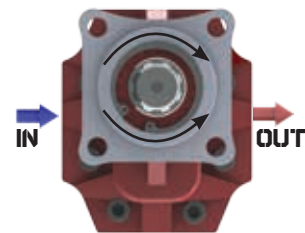
DISPLACEMENT

ROTATION



| Fluid Temp. °C | Input Pres. Bar | Optimale K. Viscosity | Oil Filtering |
|----------------|-----------------|-----------------------|----------------------------------------|
| 0 / 100 | 0,3 / 1,7 bar | 10 / 100 CST | > 200 bar : 25 um < 200 bar : 35 um |

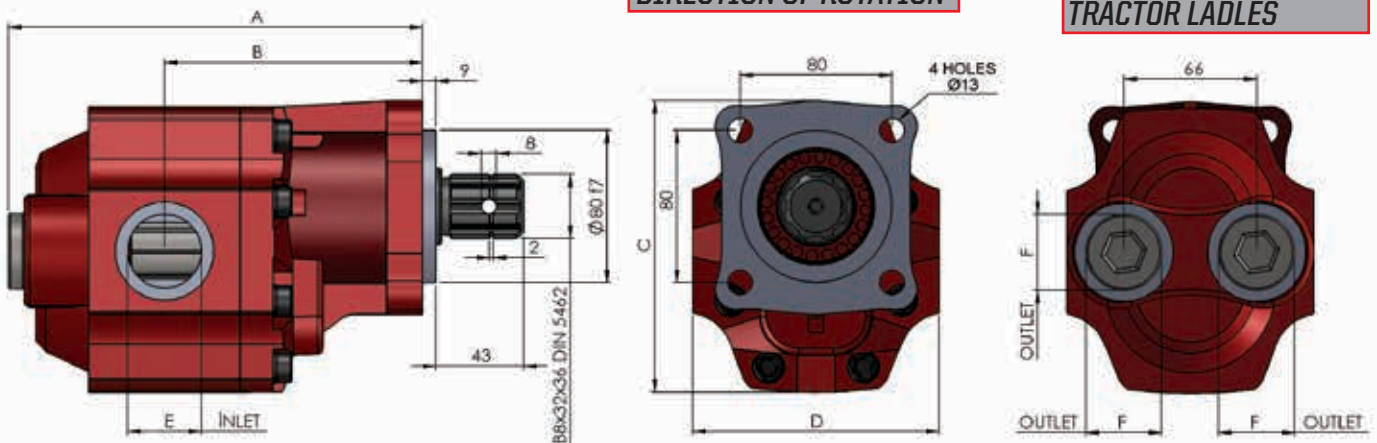
BI-ROTATIONAL PUMP



NOTE : THE ABOVE SPECIFICATIONS REFER TO OIL TYPE ISO VG 46 AT 50°

NOTE : SEE TECHNICAL PAGE TO CHANGE THE DIRECTION OF ROTATION

USED PLACED :
DUMPER TRUCKS
PRIVATE AIM WINCHES
TRACTOR LADLES



| Code | Displacement cm ³ /1000 | Rotation | Working Pressure | A mm | B mm | C mm | D mm | E Inlet | F Outlet | Weight |
|------------|------------------------------------|---------------|------------------|------|------|------|------|----------|----------|--------|
| 301 035 BR | 35 | BI-ROTATIONAL | 245 | 222 | 141 | 149 | 128 | 1" 1/4 G | 1" 1/4 G | 15 |
| 301 045 BR | 45 | BI-ROTATIONAL | 260 | | | | | | | |
| 301 055 BR | 55 | BI-ROTATIONAL | 270 | | | | | | | |
| 301 065 BR | 65 | BI-ROTATIONAL | 245 | | | | | | | |
| 301 075 BR | 75 | BI-ROTATIONAL | 220 | | | | | | | |
| 301 085 BR | 85 | BI-ROTATIONAL | 220 | | | | | | | |